

Recessed luminaires - direct/indirect



Material:

- body: a steel sheet finished by powder technology varnishing
- color: white RAL 9003
- diffuser: a finely perforated white steel sheet with diffusing sheet
- reflector: aluminium sheet finished by powder technology varnishing into white, matted aluminium sheet

Degree of protection: IP 20

Rated voltage: 230V/50Hz

Control gear: electronic ballast, dimmable ballast on request

Mounting:

34-00 - ceiling modules M600 (universal mounting)

34-09 - ceiling modules M625 (universal mounting) and mounting in plaster ceilings

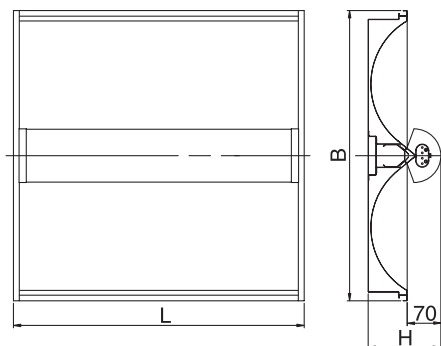
Accessories: (must be ordered separately)

(four pieces for one luminaire needed)

- holders for mounting in panel ceilings 99-298 (4pcs)
- holders for mounting in plaster ceilings 99-299 (4pcs)

Application:

- receptions
- corridors
- shops and boutiques
- restaurants
- counters
- computer labs
- representative offices
- public areas



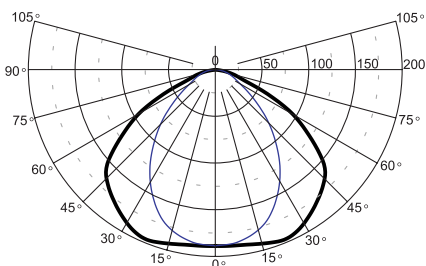
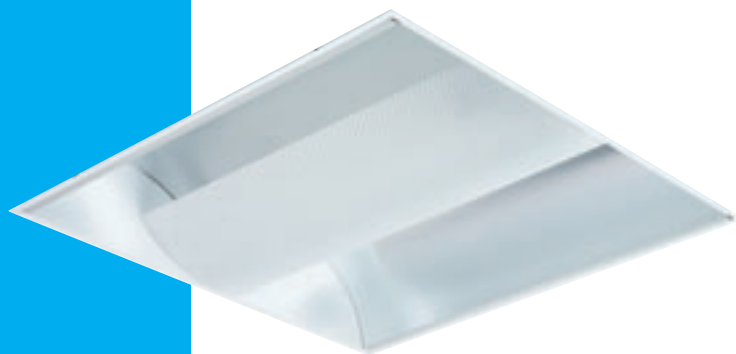
Code	Power	Lamp	Cap	Hole cut out	BxH (mm)	kg
34-004/155/C ²	1x55W	compact fl. lamp	2G11	595x595x149	M 600	6,2
34-003/214/C ²	2x14W	T5 lamp	G5	595x595x149	M 600	6,2
34-094/155/C ²	1x55W	compact fl. lamp	2G11	622x622x149	M 625	6,2
34-093/214/C ²	2x14W	T5 lamp	G5	622x622x149	M 625	6,2

If requested, luminaires with T5 lamps (24W) can be specially ordered.

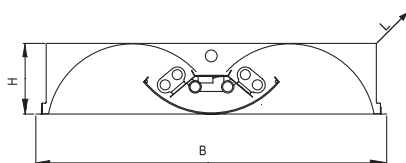
- ² - A (white aluminium reflector)
- C (matted aluminium reflector)



Recessed luminaires - direct/indirect



34-024/236/CC



Material:

- body: a steel sheet finished by powder technology varnishing
- color: white RAL 9003
- reflector: a matted Al sheet
- diffuser: a finely perforated white steel sheet

Degree of protection: IP 20

Rated voltage: 230V/50Hz

Control gear: standard, electronic or dimmable ballast

Mounting:

- 34-02 - ceiling systems M600, inlay mounting
- 34-04 - ceiling systems M625, plaster ceilings

Accessories: (must be ordered separately)
(four pieces for one luminaire needed)

- holders for mounting in panel ceilings
99-298 (4pcs)
- holders for mounting in plaster ceilings
99-299 (4pcs)

Application:

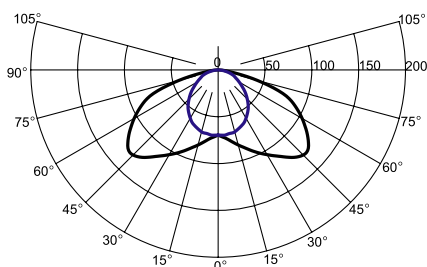
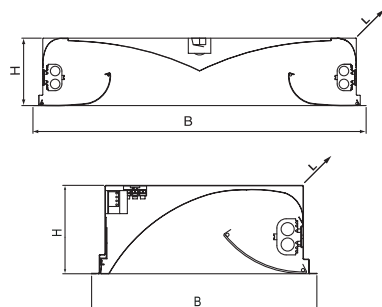
- receptions
- corridors
- shops and boutiques
- restaurants
- counters
- computer labs
- representative offices
- public areas

Code	Power	Lamp	Cap	Hole cut out	BxH (mm)	Module	kg
34-024/236/□C	2x36W	compact fl. lamp	2G11	594x593x120	M 600	-	6,3
34-024/255/CC	2x55W	compact fl. lamp	2G11	594x593x120	M 600	-	5,5
34-044/236/□C	2x36W	compact fl. lamp	2G11	623x622x120	M 625	575x575	6,3
34-044/255/CC	2x55W	compact fl. lamp	2G11	623x622x120	M 625	575x575	5,5

□ - B (standard ballast) - C (electronic ballast)



Recessed luminaires - direct/indirect



34-034/255/CC

Material:

- body: a steel sheet finished by powder technology varnishing
- color: white RAL 9003
- reflector: a matted aluminium sheet
- diffuser: a finely perforated steel sheet

Degree of protection: IP 20

Rated voltage: 230V/50Hz

Control gear: standard or electronic, dimmable ballast on request

Mounting:

- 34-03 - in ceiling systems M600, inlay mounting
- 34-05 - in ceiling systems M625, in plaster ceilings

Accessories: (must be ordered separately)

- (four pieces for one luminaire needed)
- holders for mounting in panel ceilings 99-298 (4pcs)
- holders for mounting in plaster ceilings 99-299 (4pcs)

Application:

- receptions
- corridors
- shops and boutiques
- restaurants
- counters
- computer labs

Code	Power	Lamp	Cap	Hole cut out	BxH (mm)	Module	kg
34-034/236/□C	2x36W	compact fl. lamp	2G11	594x593x120	M 600	-	6,3
34-034/255/CC	2x55W	compact fl. lamp	2G11	594x593x120	M 600	-	5,5
34-034/155/CC	1x55W	compact fl. lamp	2G11	594x293x115	M 600	-	3,8
34-054/236/□C	2x36W	compact fl. lamp	2G11	623x622x120	M 625	575x575	6,5
34-054/255/CC	2x55W	compact fl. lamp	2G11	623x622x120	M 625	575x575	6,0
34-054/155/CC	1x55W	compact fl. lamp	2G11	623x310x115	M 625	580x280	4,2

□ - B (standard ballast) - C (electronic ballast)



Recessed luminaires - direct/indirect

Material:

- body: a steel sheet finished by powder technology varnishing
- color: white RAL 9003
- reflector: a matted aluminium sheet
- louvre: a highly polished or matted parabolic louvre made of a pure aluminium sheet - Miro

Degree of protection: IP 20

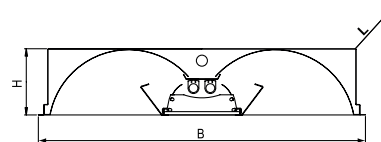
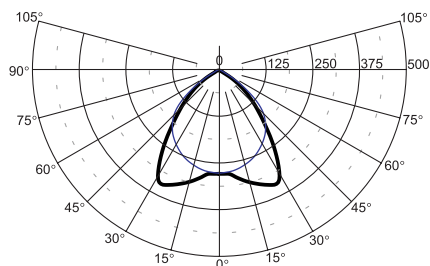
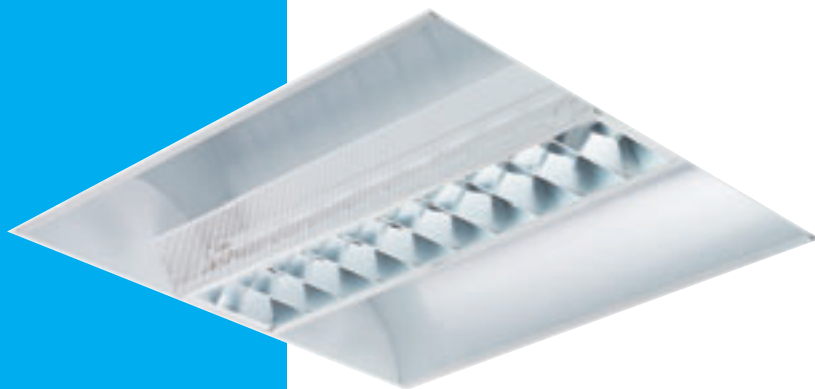
Rated voltage: 230V/50Hz

Control gear: electronic or dimmable ballast

Mounting: ceiling systems M600 - inlay mounting

Application:

- receptions
- corridors
- shops and boutiques
- restaurants
- counters
- computer labs
- representative offices
- public areas



Code	Power	Lamp	Cap	Hole cut out	BxH (mm)	kg
34-063/214/C ²	2x14W	T5 lamp	G5	594x593x120	M 600	6,0
34-063/228/C ²	2x28W	T5 lamp	G5	1194x593x120	M 600	8,6
34-064/155/C ²	1x55W	compact fl. lamp	2G11	594x593x120	M 600	5,8

If requested, luminaires with T5 lamps (24W) can be specially ordered.

- ² - B (highly polished parabolic louvre, 60°)
- C (matted parabolic louvre, 60°)

